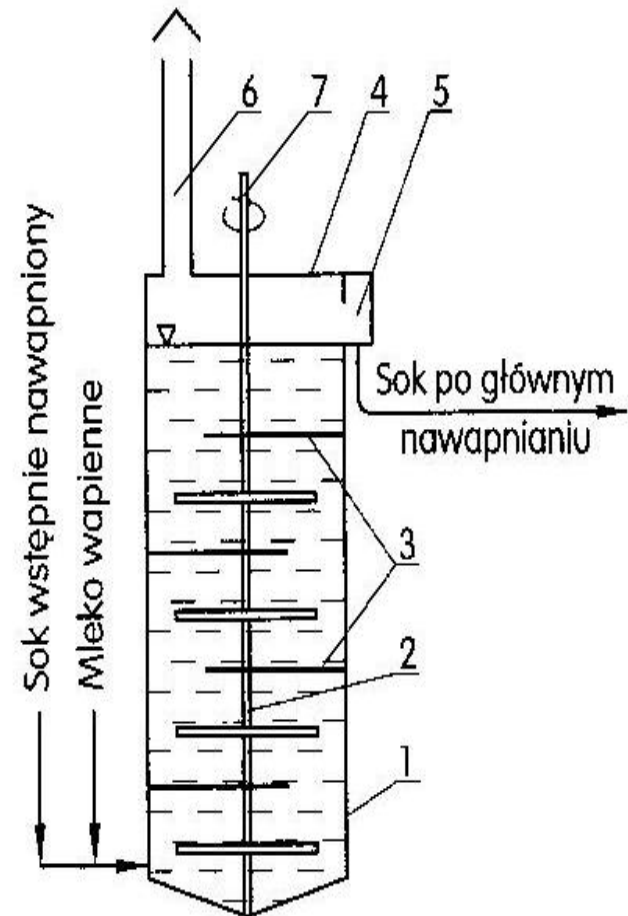


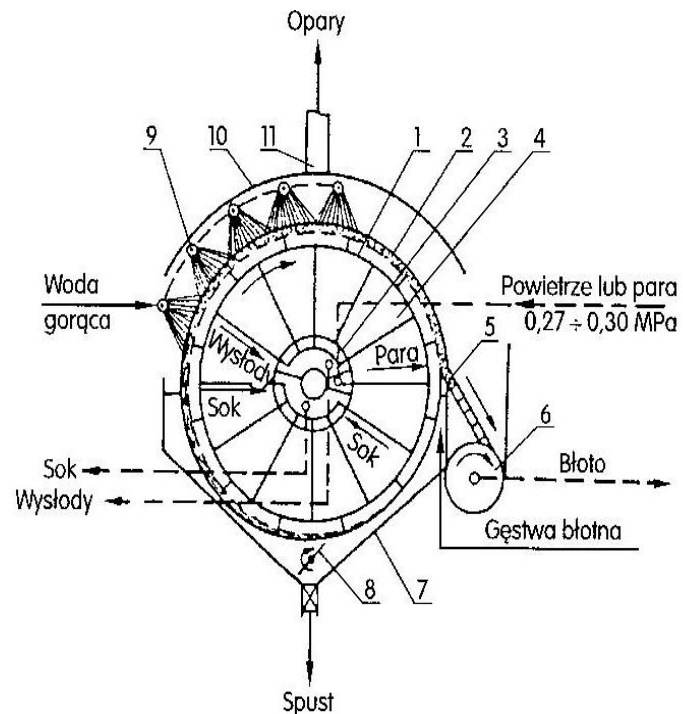
Cleaning diffusive juice by defecation , saturation

The next stage of processing raw juice is the removal of solid pollution which cloud the solution. One of the two commonly used techniques at this stage is defecation and saturation. Defecation is adding lime milk to taste. Lime alkalizes the juice and precipitates pollution, for example, insoluble sediment.



Cleaning and filtration

This sediment is separated, with the help of filters, from the yellow juice.



Thickening juice by evaporating water

The juice makes its way towards a special place where the evaporation of water till the moment the shapes are created takes place .This place can hold 60 tons of solution. Additinally, small crystals are added to the condensed syrup in order to start crystallization.

